



Confidea F-CI

Confidea Flushmount Chairman Interpretation Unit



Description

The Confidea F-CI is Televic's chairman panel for discussion systems, with an integrated speaker and simultaneous interpretation. Its small form factor, housed in an elegant casing, permits a minimalistic integration into any meeting room furniture. The integrated speaker creates a distributed sound field in the meeting room, increasing intelligibility without the need for an additional room sound system. The panel has a screw-lock connector to fit a removable microphone (available in 30, 40 or 50 cm versions). A 3.5 mm jack socket is available to connect headphones or a hearing loop for the

hearing impaired. For simultaneous interpretation, the panel has a channel selector and headphones volume adjustment. The information display shows the ISO code of the selected language and the volume setting. The chairman version has 2 additional buttons compared to the delegate unit: "Next-in-line" and "Priority".

Benefits

The Confidea F-CI is a *sleek and discreet solution* that is perfectly suited to conference rooms without an existing sound system. The ability to connect headphones provides accessibility for the hearing impaired. The clear and easy channel

selector allows for user-friendly simultaneous interpretation conferences. The unit is available in a variety of *custom colors, sizes and finishes* to blend in neatly in any environment. The Confidea F-CI is backed by the Plixus® network and redundant cabling to ensure *maximum reliability*. Finally, its shielded microphone is immune to mobile phone interference.

Features

- Basic discussion function
- Interpretation function
- Tactile microphone push button with integrated LED
- Tactile Priority push button
- Tactile Next-in-line push button
- Headphone volume adjustment
- Language channel selector
- Channel information display
- Integrated loudspeaker
- Rounded corners for easy installation
- Trademark natural Televic Sound
- Available in custom colors, sizes, finishes

Connectivity

- Screw-lock microphone connector. Microphones sold separately.
- | | |
|------------------|-------------------|
| D-MIC30SL | 71.98.0053 |
| D-MIC40SL | 71.98.0054 |
| D-MIC50SL | 71.98.0055 |
- Two RJ 45 connectors for loop through cabling
 - 3.5 mm stereo jack socket for headphones
 - Plixus-powered

Software

To fully configure, manage, and use the unit, Televic's CoCon management software is required. The following standard licenses are available:

CoCon Discussion	71.98.1101
CoCon Signage	71.98.1102
CoCon Interpretation	71.98.1107

Certifications

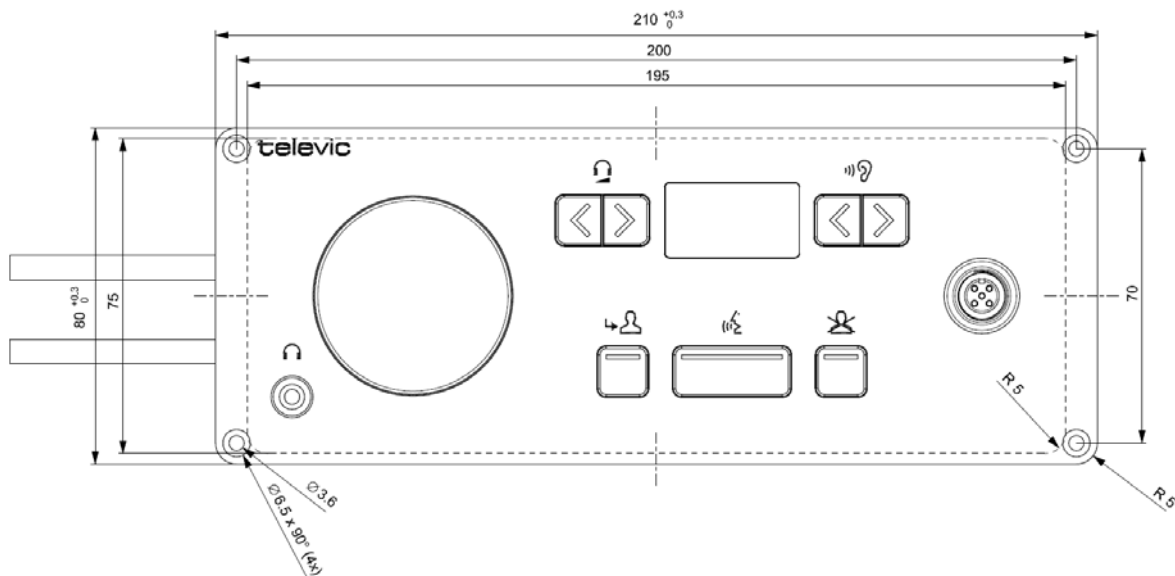
Region	Certification
Europe	CE

Specifications

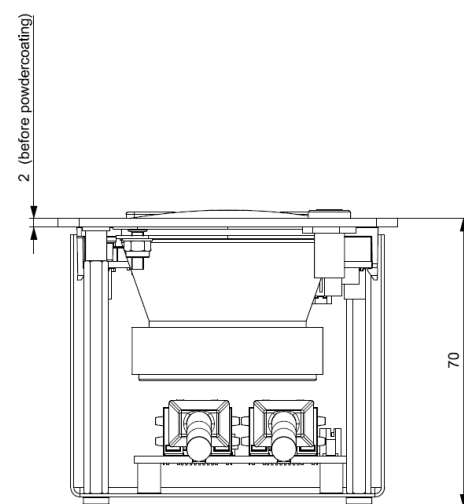
Mechanical	
Material	Steel
Color	Tiger coating Carbon 01
Size (mm)	210 (w) × 80 (h) × 70 (d)
Size packed (mm)	250 (w) × 120 (h) × 85 (d)
Weight (g)	740
Weight packed (g)	860
Electrical	
Voltage	48 VDC
Consumption	4 W
Speaker Output	
Maximum output power	> 1 W
Frequency response	200-20,000 Hz
Dynamic range	> 90 dB
THD @ nominal level	< 0.1%
Load impedance	8 Ω
Headphone Output	
Maximum output	> 10 mW
Frequency response	22-22,000 Hz
Dynamic range	> 90 dB
THD @ nominal level	< 0.1%
Load impedance	16-32 Ω
Microphone Input	
Dynamic range	> 90 dB
Frequency response	20-20,000 Hz
THD @ nominal level	0.1%
Display	
Display Type	OLED
Resolution	128 × 64
Character Height	5 mm

Diagrams

Front View (in mm)



Side View (in mm)



All information copyright **Televic Conference**, 2015.
Version 1.0, October 2015

Leo Bekaertlaan 1 · 8870 Izegem · Belgium
Tel. +32 51 30 30 45
Fax +32 51 31 06 70

E-mail: conference@televic.com

Web: <http://www.televic-conference.com>

Televic reserves the right to change this document without notice.