

Bosch DCN Next Generation

Application Brochure



BOSCH

Invented for life



With powerful new software suite!

DCN Next Generation congress systems:

One unified system for conferences of every kind and size

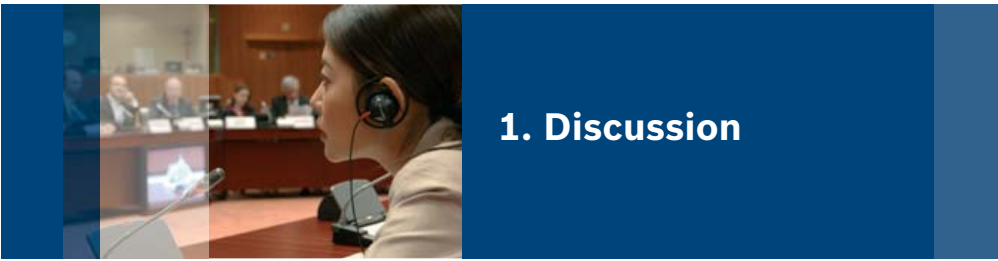
From the largest international conferences to local council meetings, the DCN System can be tailored to provide perfect, flexible support for communication. Here we present some situations to illustrate how flexible and multi-faceted this high-quality system is. A no-frills version is perfect for meetings with one common language and smaller numbers of participants. The same basic set-up can be expanded to work in large-scale, multi-lingual congresses with interpreting, voting, identification, audio and video display, and Bosch's powerful software suite. For every kind of conference, DCN removes barriers and leaves participants free to get the most out of meeting.



Shopping list

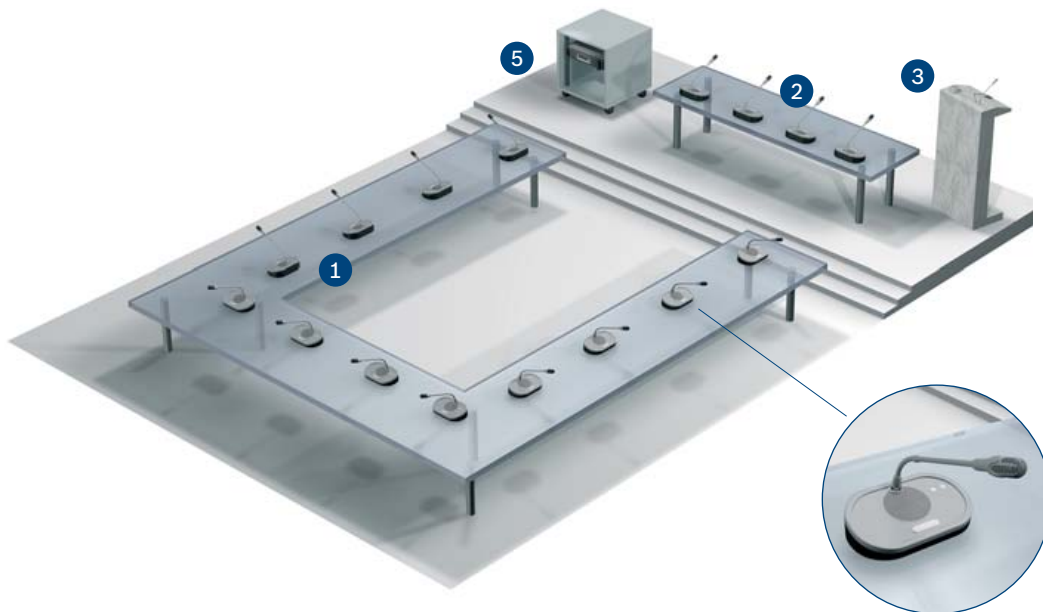
1. Delegate unit
2. Chairman unit
3. Flush mount panel
4. Hand microphone
5. Central control equipment
6. Hall display
7. Large screen
8. Interpreter desk
9. Channel selector
10. Pocket receiver
11. AutoDome® camera
12. Fixed camera
13. Personal computer with DCN Control Software
14. Touch screen control
15. ID cards
16. Fingerprint reader
17. Individual screen
18. Loudspeakers
19. Intercom handset





1. Discussion

- Good speech intelligibility for everyone
- Chairman is in control
- Better-structured and therefore faster meetings
- Keeps attention centrally focused
- No operator required



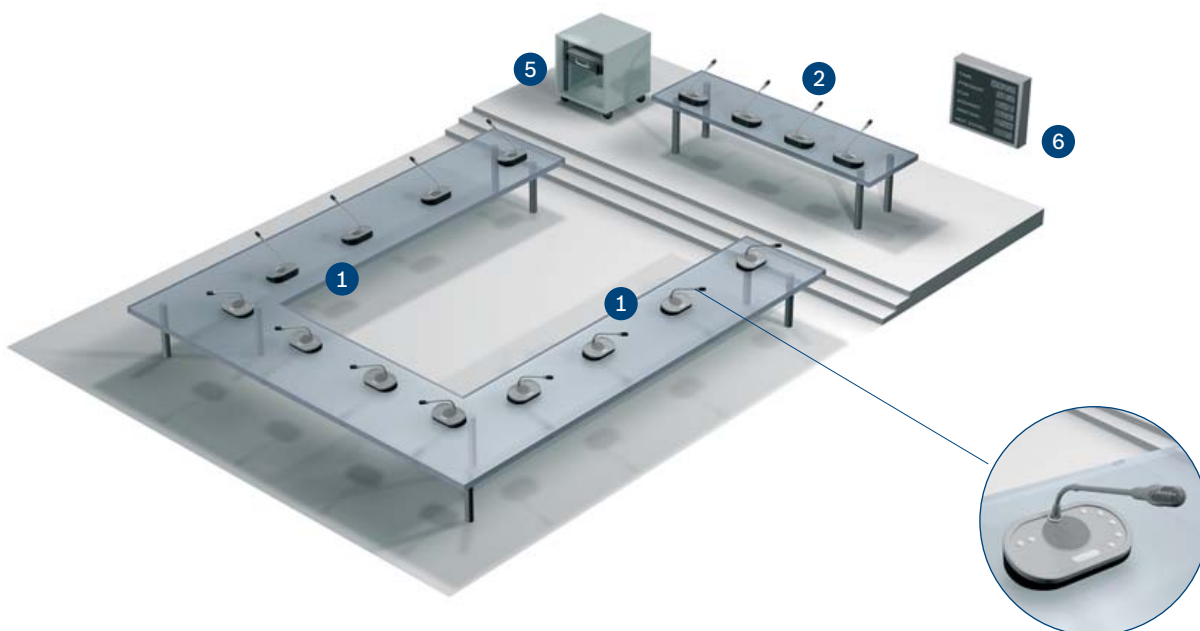
All delegates have a microphone unit with a built-in loudspeaker for high speech intelligibility

Delegates request the floor by pressing the microphone button. It is easier to keep attention centrally focused as a limited number of microphones can be open at the same time. This helps keep order and speeds up the meeting process. Delegates who request the floor after the maximum has been reached are placed on a waiting list. The chairman can listen, register requests to speak, and override other delegates by using a priority key. In this case, all delegate microphones will be muted

and an attention tone will be heard. In this way, the chairman can easily guide and control the meeting. A rostrum for guest speakers is equipped with a flush-mounted DCN Microphone and Loudspeaker. Hand-held microphones for audience members can be used with or without floor stands. All DCN equipment is connected directly to the central control unit. This CCU supplies power to all units, provides audio equalization for all delegate loudspeakers, and is used to determine the microphone operating mode. No operator is required.

2. Electronic Voting

- Fast tally and display of delegates' votes
- Electronic voting can be combined with a discussion system
- Voting results on large-scale audience screens or individual screens
- Basic voting or extended voting control software



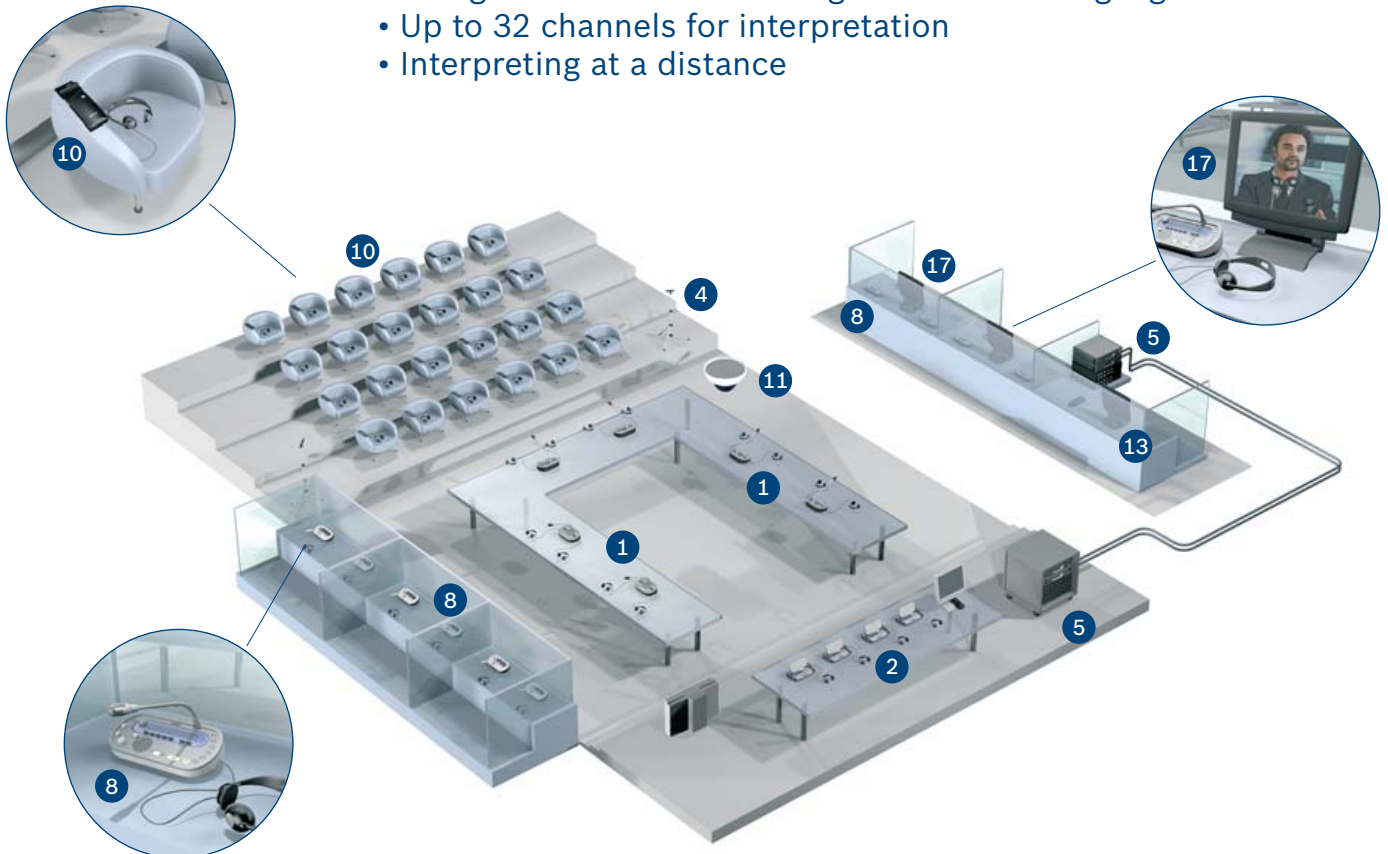
Get the opinion of your audience or take decisions quickly by means of electronic voting

The chairman presides over the meeting and controls the voting proceedings using a chairman unit. In addition, an operator can control the voting via a personal computer or via a touch screen. The chairman unit's graphic LCD provides the chairman with speaker information, a voting script and voting results.

The unit can be used to start, stop and suspend voting. Each delegate has a voting unit. The five voting buttons allow parliamentary, for and against, multiple choice, opinion polling or audience response voting. The voting results are sent via the DCN Central Control Unit to a numeric hall display or via a control PC to audience screens. The DCN Central Control Unit is used to power all DCN units.

3. Interpretation

- Delegates follow the meeting in their own languages
- Up to 32 channels for interpretation
- Interpreting at a distance



A multilingual international conference with delegates from different countries and no common language

The interpreters are located in soundproof booths and equipped with DCN interpreter units with graphic, backlit LCD displays and interpreter headphones. Delegates can select the interpretation they wish to hear through their headphones by means of:

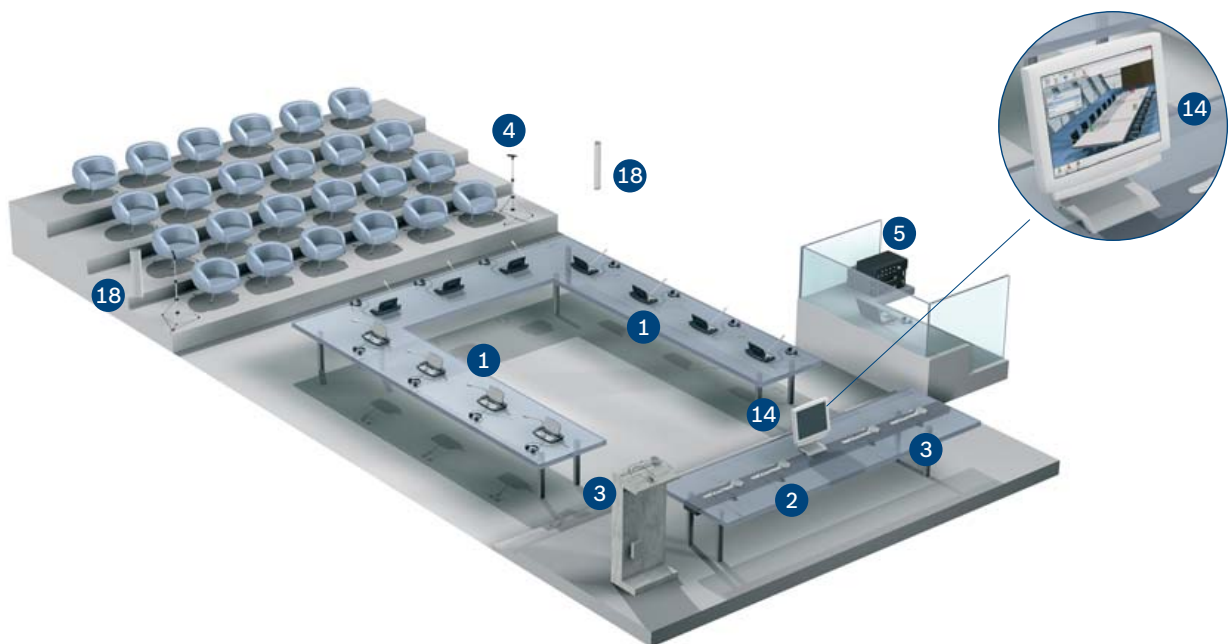
- A channel selector on their delegate units
- A separate channel selector
- Wireless via pocket receivers

Remote interpretation

Real-time language interpretation at a remote location can be provided to save time and reduce costs, since interpreters no longer have to be accommodated at the meeting site itself. The remote location can be anywhere in the world. The image of the delegate speaking will be taken from the dome camera and routed to the interpreters.

4. Conference with operator control

- Advanced ergonomics
- Wide variety of data output options
- Future proof technology



The Bosch DCN Conference Software Suite allows operators to easily control and manage all aspects of a conference

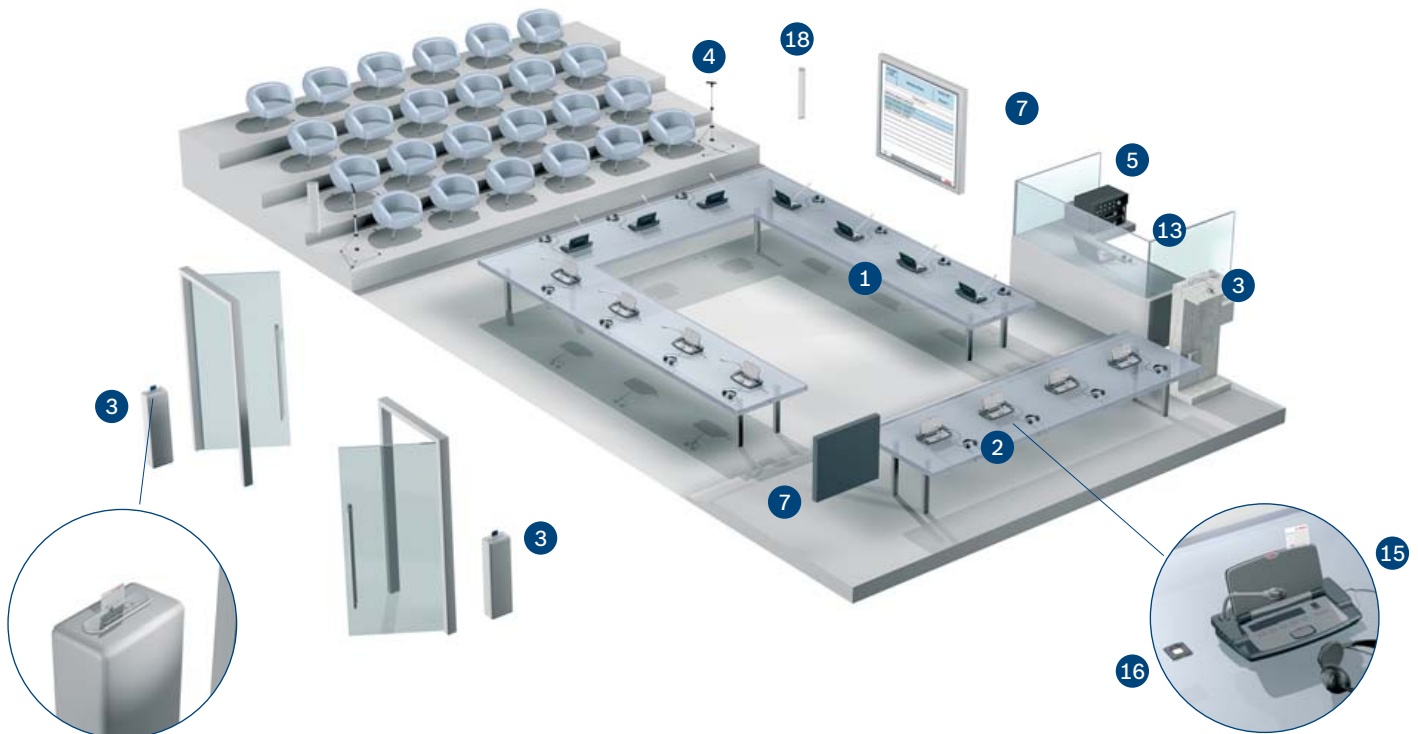
A few examples are:

- The operator sets up all the requirements and necessary authorizations for each meeting
- Allocating various operating functions to each microphone unit
- Prepare a synoptic layout with flex view action buttons to control the meeting
- Operator can run the conference according to a pre-configured agenda or make adjustments in real time
- During a conference operators have a clear status overview of each microphone unit
- Electronic voting can be made available to the entire group or only to specific delegates.
- Sophisticated interfacing options allows conferencing data to be automatically and instantly relayed to a variety of outputs
- Seamless integration with Microsoft Powerpoint®
- Optimized for touch screen and color impaired people.

The DCN Next Generation software basically allows operators to customize each session as much – or as little – as desired. As the suite is modular, it is possible to order only the level of functionality required, yet simple to upgrade when requirements grow.

5. Attendance registration and access control

- Register delegates by means of a chip card and/or PIN code
- Use of biometrical readers such as fingerprint readers
- Retrieval of present and/or absent list
- Access control for each delegate



Registration of conference participants and addition of security by means of access control

DCN software modules allow electronic identification and access control to be registered:

- At the microphone unit
- At the entrance or exit unit
- For free seating
- For only one seat

Conference participants can register their presence by:

- A push button on delegate units, which allows simple registration
- By inserting an ID card into a card reader that is integrated into the microphone unit, or located at the conference venue entrance.

- By means of personal identification number, which can be combined with the ID card as well

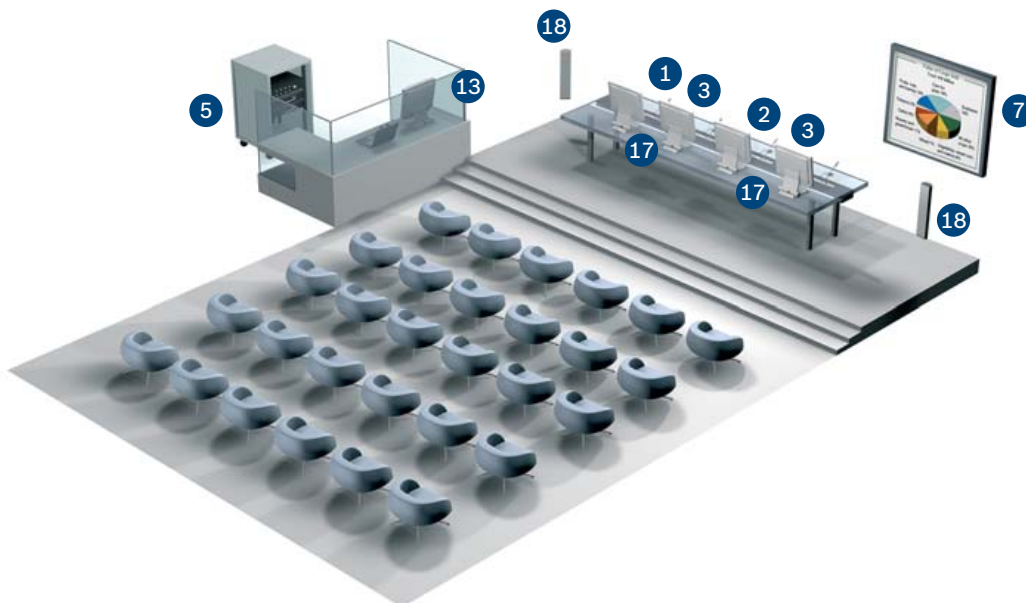
It is also possible to specify that delegates may only make use of certain microphone or control functions.

Fingerprint readers

The DCN Concentus unit can be extended with a fingerprint reader to recognize persons. Fingerprint reading is a biometrical verification technique and is efficient in high security meetings.

6. Display Conference Data

- Show conference data to your audience via projectors or large screen
- Show information on screens for delegates or chairman
- Flexible configuration of the screen by adjusting colors, fonts, texts, lines and images
- The logo or emblem of your business or a city council can be easily added as an image



Show conference data on screens by means of video display

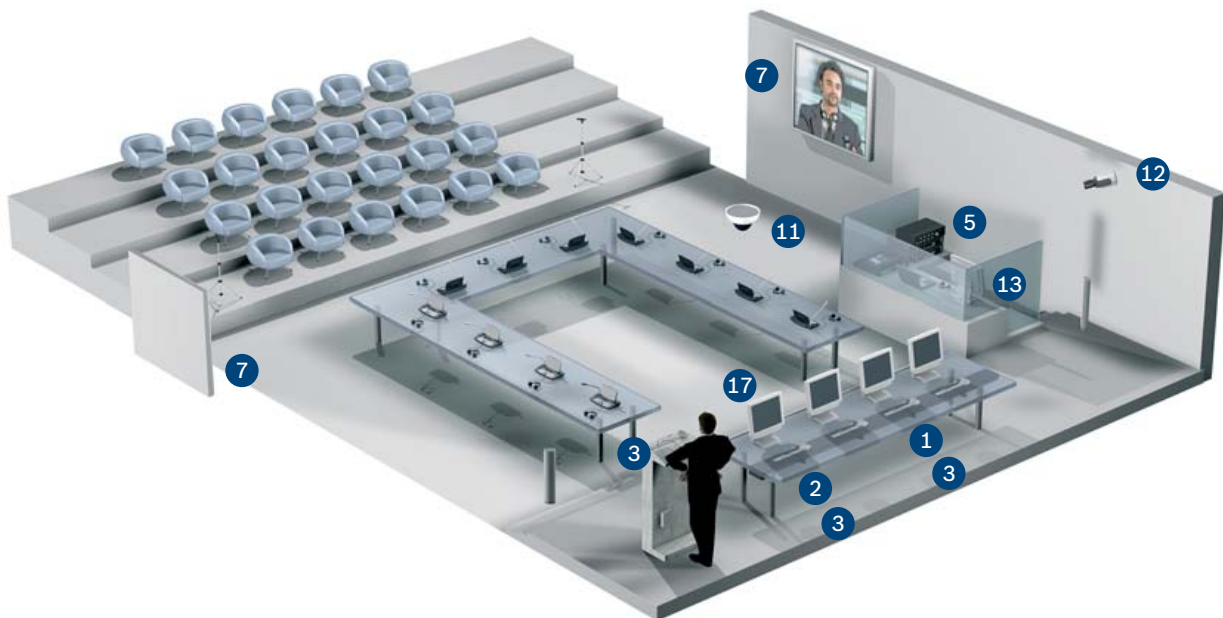
The following information can be shown:

- The names of delegates who are currently speaking, with the remaining speech time
- The listed delegates who are waiting to speak
- Voting scripts and results (listed per delegate, listed in a synoptic layout, total results in a chart or listed)
- The agenda of the day and messages
- Absent or present delegates

The video display information can be shown to each participant on the podium with a personal color liquid crystal screen. The same information can be shown to the audience by means of large-scale screens or projectors.

7. Look who's talking

- Camera facility automatically shows current speakers on screen
- Fast-moving dome camera to show current speaker
- Fixed camera to show an overview image of the venue
- No camera operator required
- Delegate information is shown on screen with image of current speaker
- Free seating when ID cards are used as well



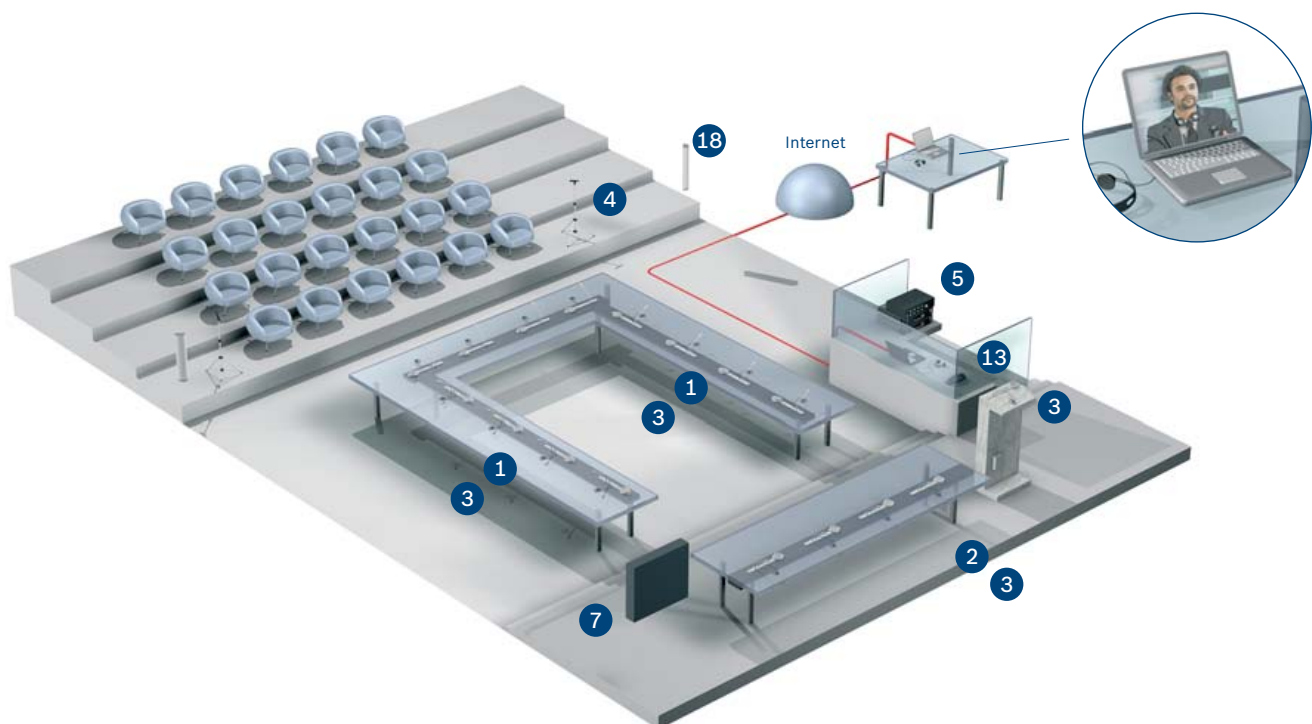
Camera control automatically shows an image of the current speaker on a screen

A visual dimension not only generates interest and focuses attention, but also tells participants and observers who is speaking. DCN can automatically show an image of the current speaker on monitors or projection screens in the main hall, lobby, interpreters' booths, breakout rooms or anywhere else required. Delegate information will also appear on the screen. Camera control is automatic, so no attention is required from operators. Bosch AutoDome® cameras are ideal for this application.

The operator does not have to adjust the configuration, as the system does it automatically. When setting up a video conference between sites, the system is especially useful, as delegates from the various locations will always have the sound, image and name of the current speaker.

8. Follow proceedings via internet

- Delegates unable to attend a meeting can follow proceedings via internet
- Audience can join a live city council meeting from home via internet

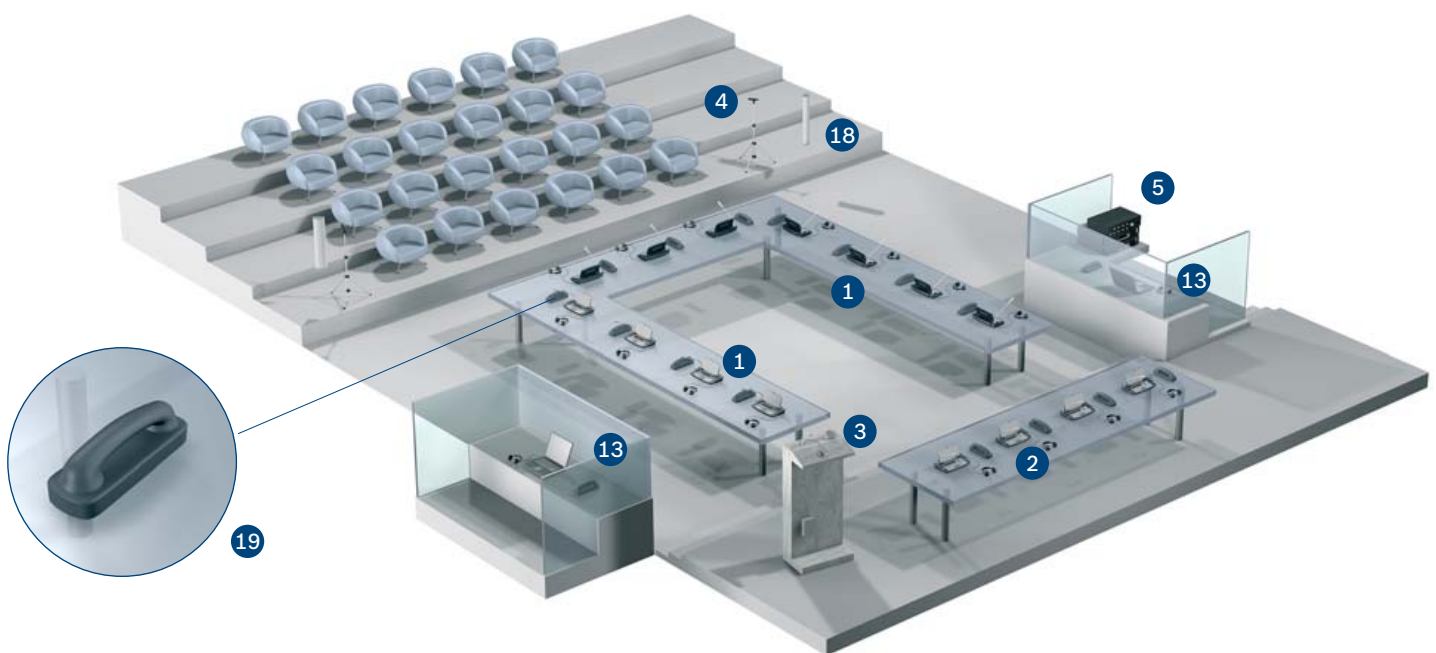


Attend your next council meeting via your hotel room when travelling

It is possible to host a meeting via an internet provider, with full access to audio, video and data. Without being physically present, delegates or others are able to follow speeches, see presentation slides, see live video or non-moving images of the speakers, get voting results, and retrieve messages.

9. Private conversation

- Enables private, two-way conversations between delegates, chairpersons, interpreters and operators without disturbing the meeting
- Allows up to 5 simultaneous conversations



Request a private conversation with others attending the meeting

The DCN Intercom facility allows conference participants to hold two-way private conversations using an intercom handset. This allows them to contact their party leader, chairman, operator etc. without physically moving or using other local telephones.

A Tradition of Quality and Innovation

For over 100 years, the Bosch name has stood for quality and reliability. Bosch is the global supplier of choice for innovative technology, backed by the highest standards for service and support.

Bosch Security Systems proudly offers a wide range of security, safety, communications and sound solutions that are relied upon every day in applications around the world, from government facilities and public venues to businesses, schools and homes.



Bosch Security Systems

To learn more about our product offering, please visit www.boschsecurity.com or send an e-mail to emea.securitysystems@bosch.com

© Bosch Security Systems, 2008
Printed in The Netherlands
Modifications reserved
CO-EH-en-01_4998146632_03